



SAVE THESE INSTRUCTIONS - READ ALL INSTRUCTIONS CAREFULLY

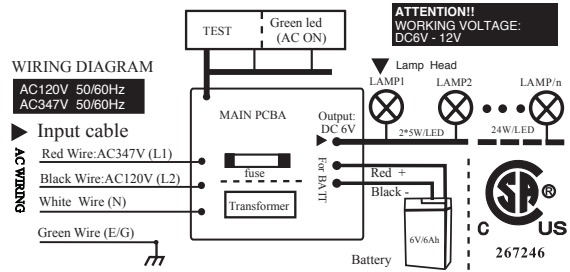
IMPORTANT SAFEGUARDS



READ AND FOLLOW ALL SAFETY INSTRUCTIONS

- Review the diagrams thoroughly before beginning.
- All electrical connections must be in accordance with local codes, ordinances and the National Electric Code.
- All unused wires must be capped to prevent shorting.
- Disconnect power at fuse or circuit breaker before installing or servicing.
- Do not use outdoors.
- Do not mount in hazardous locations or near gas or electric heaters.
- Do not let power cords touch hot surfaces.
- Equipment should be mounted in locations and at heights where it will not be subject to tampering by unauthorized personnel.
- The use of accessory equipment is not recommended by the manufacturer.
- Do not use this equipment other than intended use.
- All servicing should be performed by qualified personnel only.
- Allow battery to charge for 24hrs before first use.

WIRING DIAGRAM

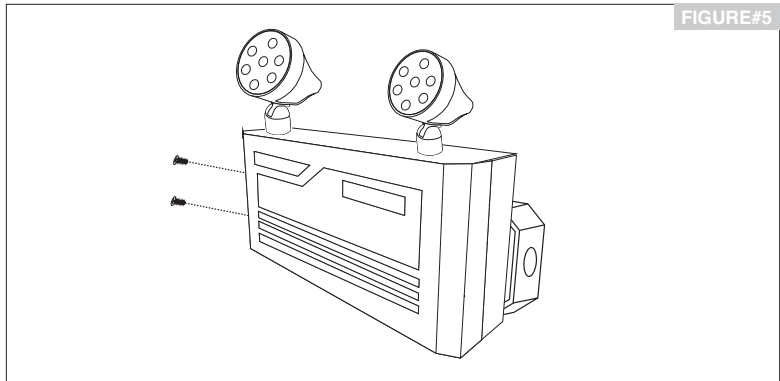
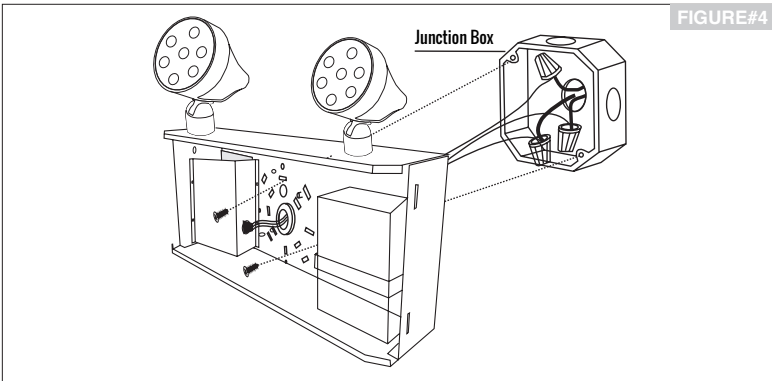
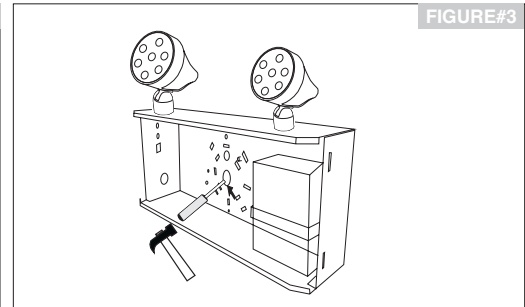
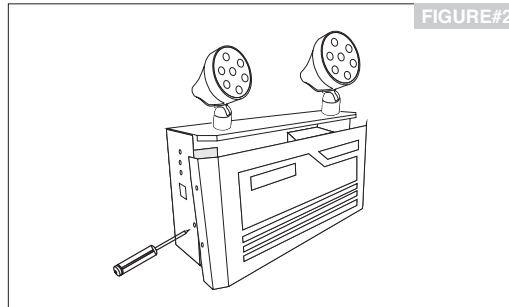
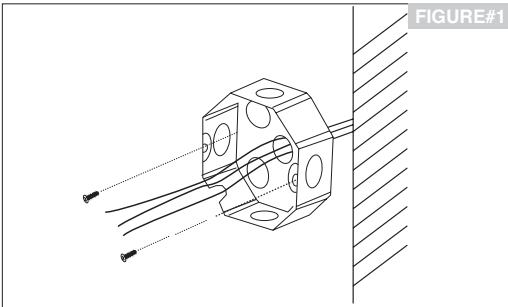


INSTALLATION INSTRUCTION

1. Turn off AC power.
2. Remove all components from packaging.

WALL MOUNT

1. Feed AC supply wires into the junction box leaving 8 inches of wire (see figure 1).
2. Remove the cover by unscrewing the screws on the side of the front cover (see figure 2).
3. Identify the proper hole pattern in the back of the housing to mount to a standard junction box. Place a support on either side of the knockouts to be removed and then knock out with a screwdriver (see figure 3).
4. Insert a plastic bushing into the hole to protect wires from metal edge. (see figure 4).
5. Route AC supply wires into the center hole of the housing (through the bushing).
6. Mount the unit securely to the junction box using the junction box screws. Note: Use the keyhole slot as added security (see figure 5).
7. The system can accept input voltages of 120 or 347 VAC. Connect the green ground (see wiring diagram above).
8. Install the battery (ies) into the housing and complete the appropriate connections including connection to the PCBA. Note: Batteries may be shipped separately to avoid damage.
9. Secure all internal wires.
10. Replace and secure the cover with screws (see figure 5).
11. Turn on AC power supply.

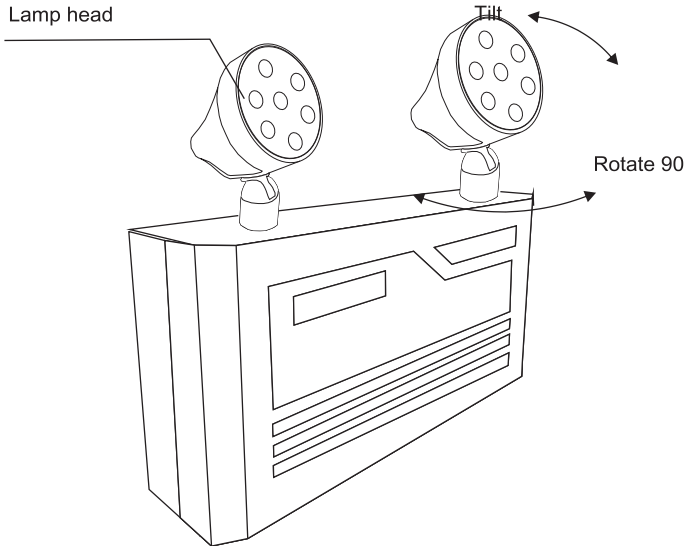




SAVE THESE INSTRUCTIONS - READ ALL INSTRUCTIONS CAREFULLY

ADJUST THE LAMP HEAD

Rotation - hold each lamp head and turn it to either side.
Tilt - hold each lamp head and tilt it up or down.



OPERATION:

Self-powered (battery)

- To test, depress the TEST button. The charge indicator will go out and the lamps will come on.
- Release the TEST button. The lamp will turn off, and the charge indicator will come on.
- The LED indicator light indicates a high charge rate. After the battery has reached full charge, the indicator light will go out. Under normal operation, the high charge indicator will turn on and off intermittently while the unit is in standby mode.

MAINTENANCE:

- Equipment must be tested regularly in accordance with local codes.
- Replace the batteries as needed according to ambient conditions.
- Clean the front cover on regular basis to provide maximum light distribution.

TROUBLESHOOTING:

THE LAMPS DO NOT LIGHT

Check the AC power supply.
AC supply is OK, and indicator light is out, replace the PC board assembly.
The pilot light is on before the test. Either the output is shorted or overloaded, or the battery is not connected.
Battery has discharged. Allow 24 hours for recharge and then retest.

THE LAMPS COME ON DIM WHEN THE TEST BUTTON IS PRESSED

Battery is discharged-allow the unit to charge for 20 hours and retest. If lamps are still dim, check to see if the charger is working. If the charger is functioning correctly, replace the battery.

THE LAMPS COME ON DIM WHEN THE BATTERY IS FIRST CONNECTED

Battery may be connected in reverse polarity. Check the connections. Connect the positive lead to the positive battery terminal and the negative lead to the negative battery terminal. The lamps should then

turn off and the charge indicator should light up when AC power is applied.

THE LAMPS COME ON DIM WHEN AC POWER IS ON

Check the supply voltage and the AC connections. The AC supply must be atleast 80% of the nominal voltage (96V on a 120V line) for equipment to function normally. At lower voltages the emergency headlights will begin to glow dimly until the source voltage drops below the battery full turn-on point. NOTE: This condition may also be caused by incorrectly connecting a 120 V supply line to the 347V transformer lead.

NOTHING HAPPENS WHEN THE UNIT IS ENERGIZED

Some models have a standard time delay built into the design of the charger board. Please allow 15 minutes when the AC supply is connected. At this point the LED AC-ON and CHARGE lights should illuminate.

The unit comes with a 3 year fixture and 1 year battery warranties